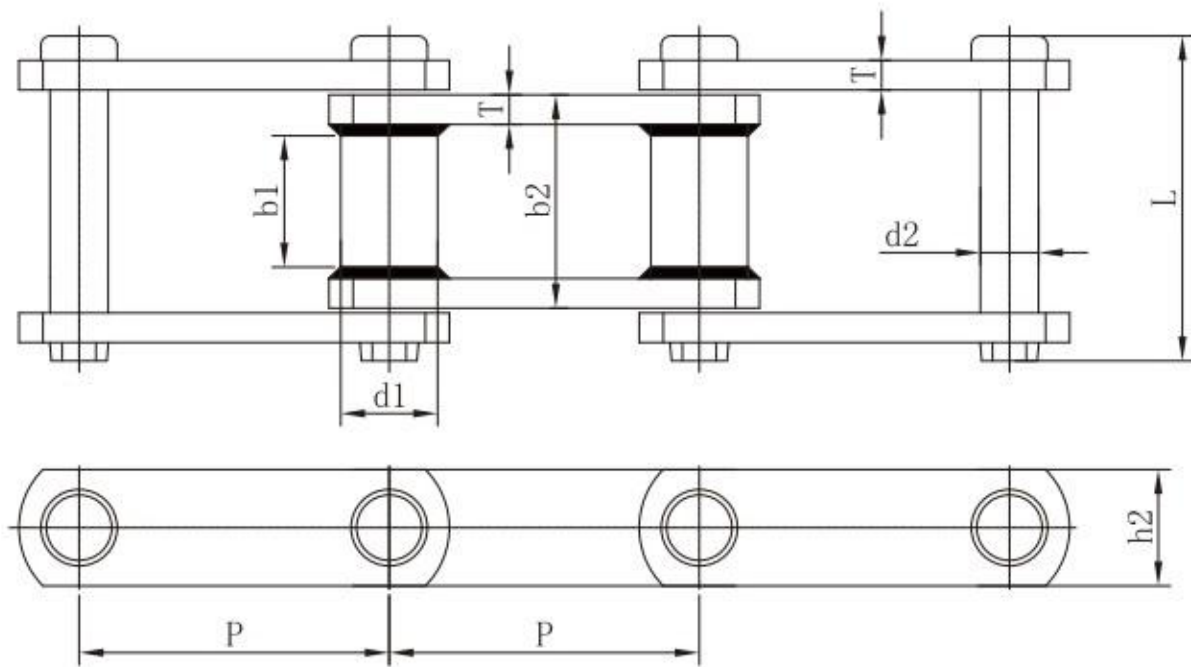


# 焊接直板链

Straight sidebar welded steel chains



环球链号 Universal Chain No.	节距 Pitch P	套筒直径 Outside barrel diameter d <sub>1</sub> max mm	内节内宽 Width between inner plates b <sub>1</sub> min mm	销轴直径 Pin diameter d <sub>2</sub> max mm	销轴长度 Pin length L max mm	内节外宽 Width between outer plates b <sub>2</sub> max mm	链板高度 Inner plate depth h <sub>2</sub> max mm	链板厚度 Plate thickness T mm	抗拉强度 Ultimate tensile strength Q min kN	每米重量 Weight per meter q = kg/m
WRC124-P101.6	101.6	31.75	38.1	19.05	107	69.85	38.1	9.7	224.3	11.87
WHC124-P101.6	101.6	31.75	38.1	19.05	107	69.85	38.1	9.7	255	11.9
WHC132IBR-P153.67	153.67	44.45	69.85	25.4	156	112	50.8	12.7	542	21.16